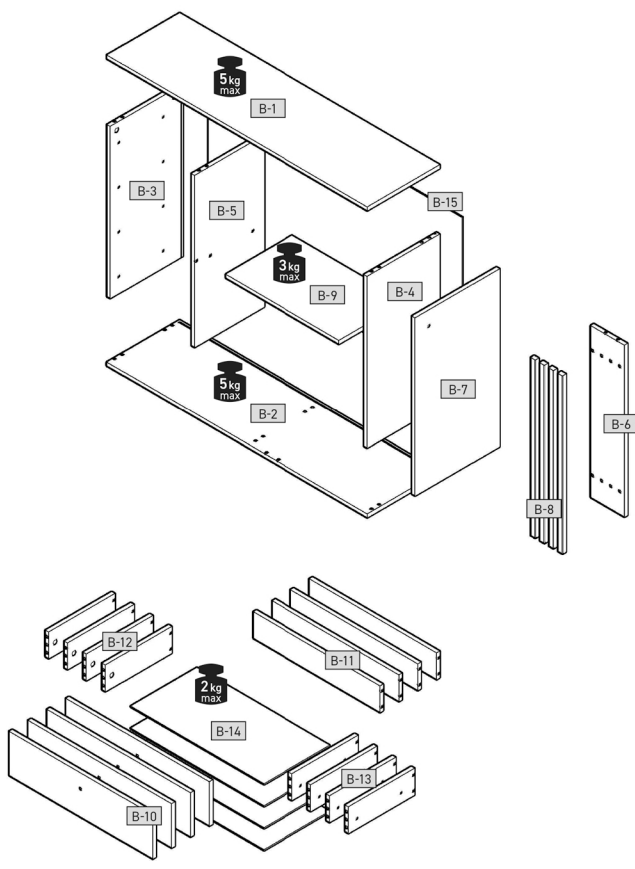
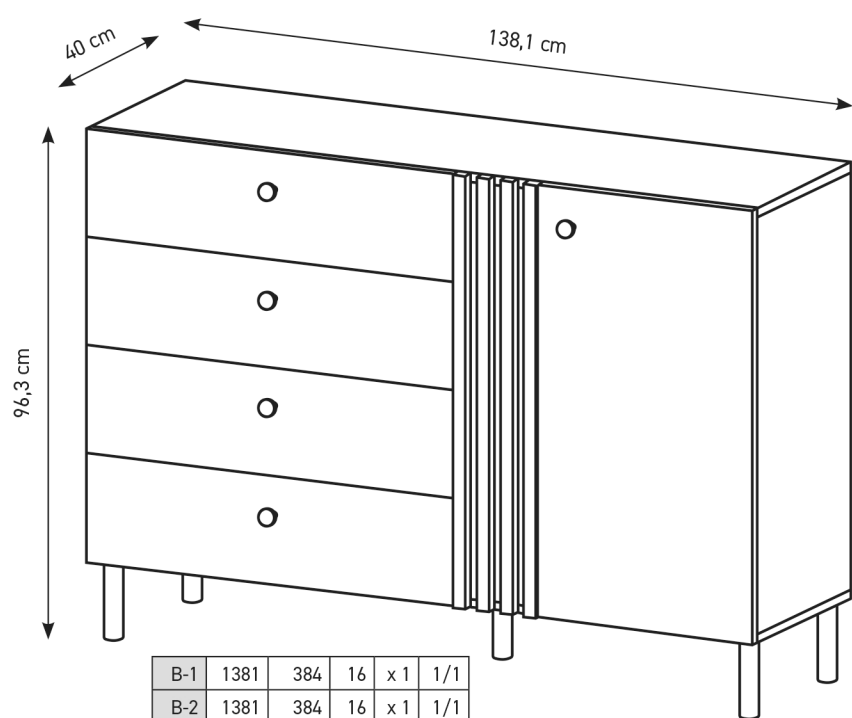
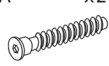
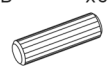















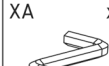





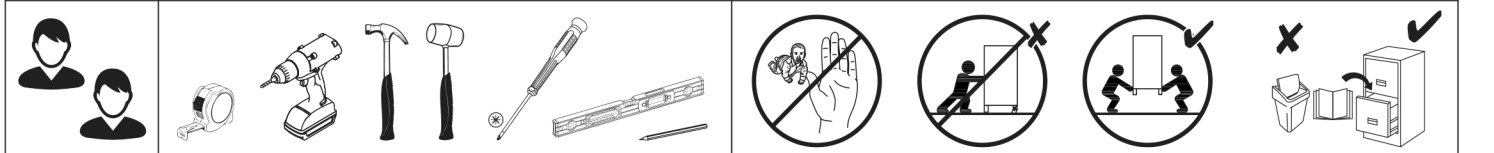
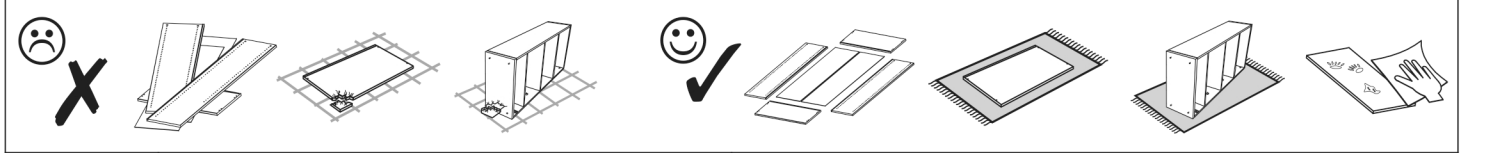
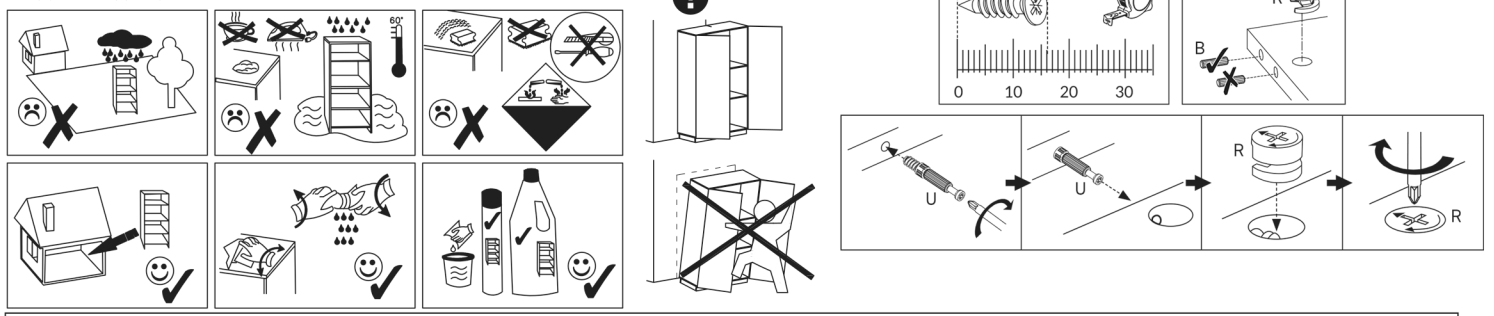
DUKEN D4S

ca. 2,5h 

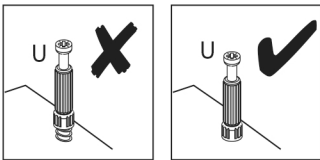
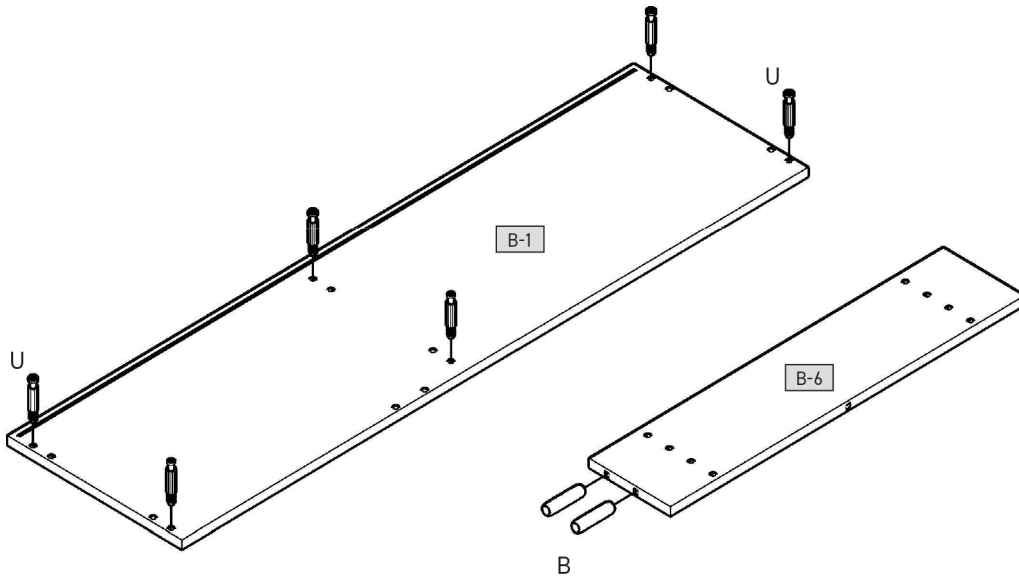
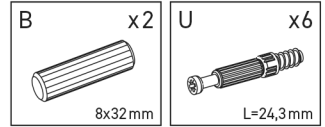
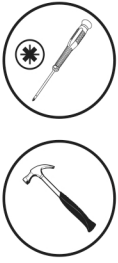


B-1	1381	384	16	x 1	1/1
B-2	1381	384	16	x 1	1/1
B-3	781	384	16	x 1	1/1
B-4	781	384	16	x 1	1/1
B-5	781	369	16	x 1	1/1
B-6	781	178	16	x 1	1/1
B-7	446	809	16	x 1	1/1
B-8	809	24	18	x 4	1/1
B-9	602	353	16	x 1	1/1
B-10	758	200	16	x 4	1/1
B-11	674	120	16	x 4	1/1
B-12	350	120	16	x 4	1/1
B-13	350	120	16	x 4	1/1
B-14	704	356	3	x 4	1/1
B-15	1362	795	3	x 1	1/1

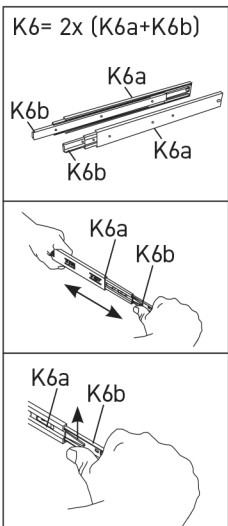
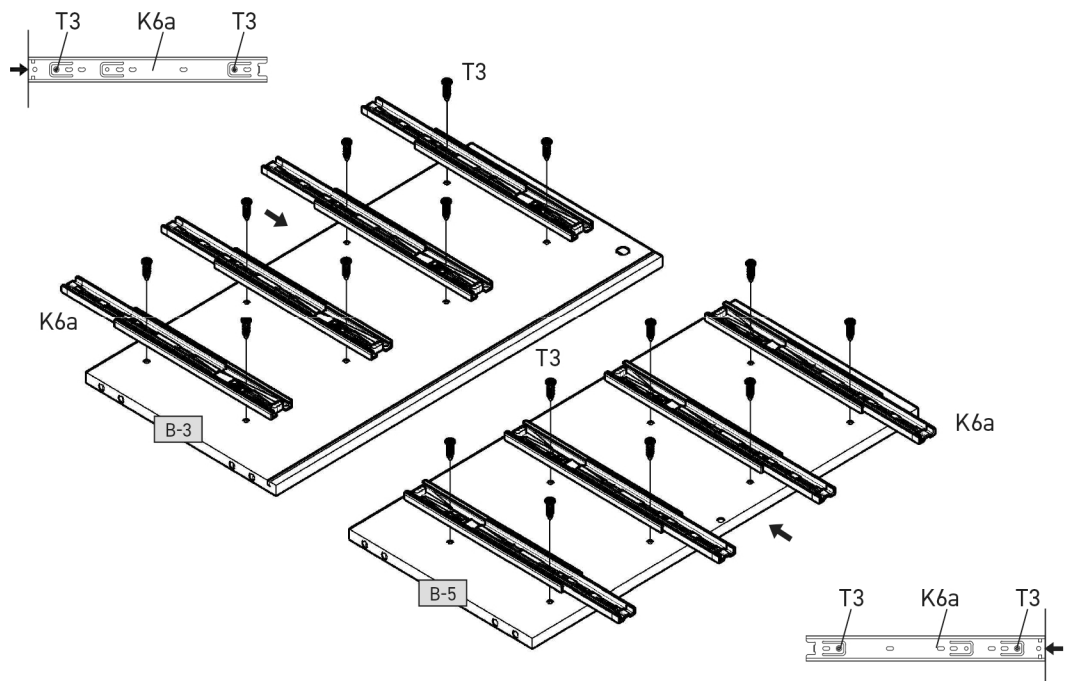
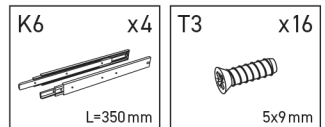
- A x25

7x50mm
- B x30

8x32mm
- C+D x2

P
- E x25

3,5x13mm
- E2 x5

3x20mm
- E3 x8

4x27mm
- EM2 x5

4x25mm
- EP2 x48

4x20mm
- H1 x10

- K6 x4

L=350mm
- M x5

GSKINBL Ø32
- N1 x5

Ø30 / H=150mm
- P x4

- R x14

H=11mm
- T3 x32

5x9mm
- U x14

L=24,3mm
- W1 x1

- XA x1

- ZA x25

Ø4
- ZR x14

Ø15
- 



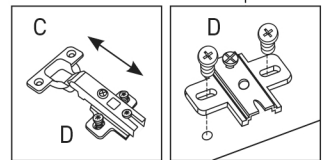
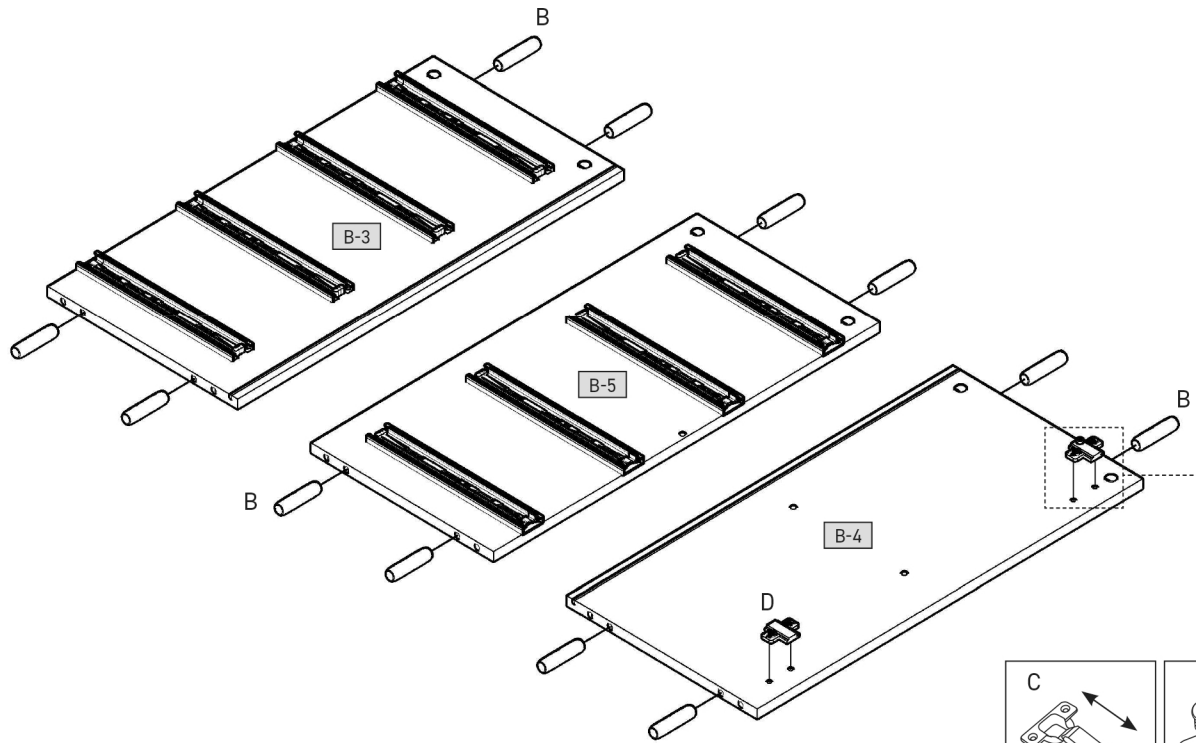
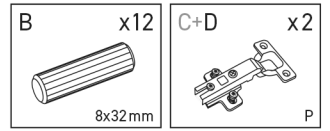
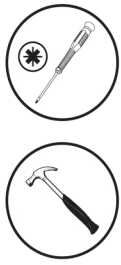
1



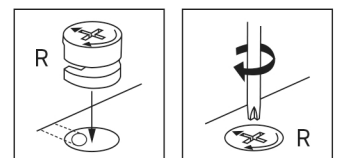
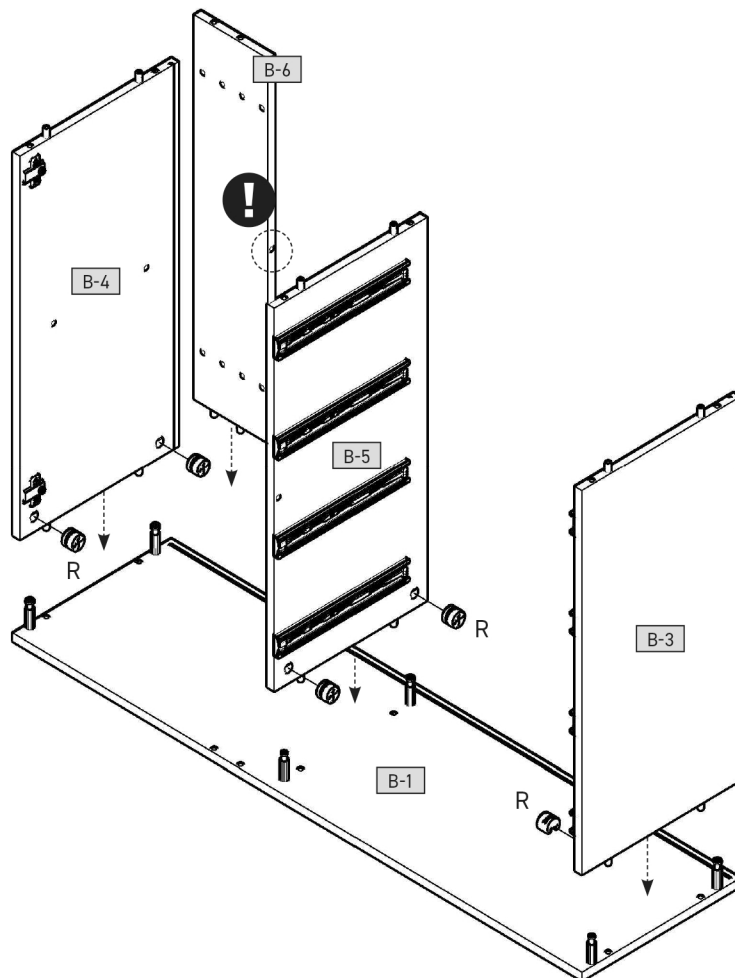
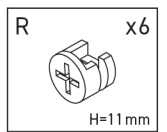
2



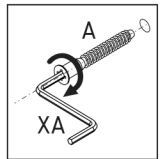
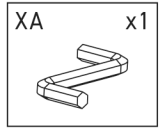
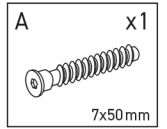
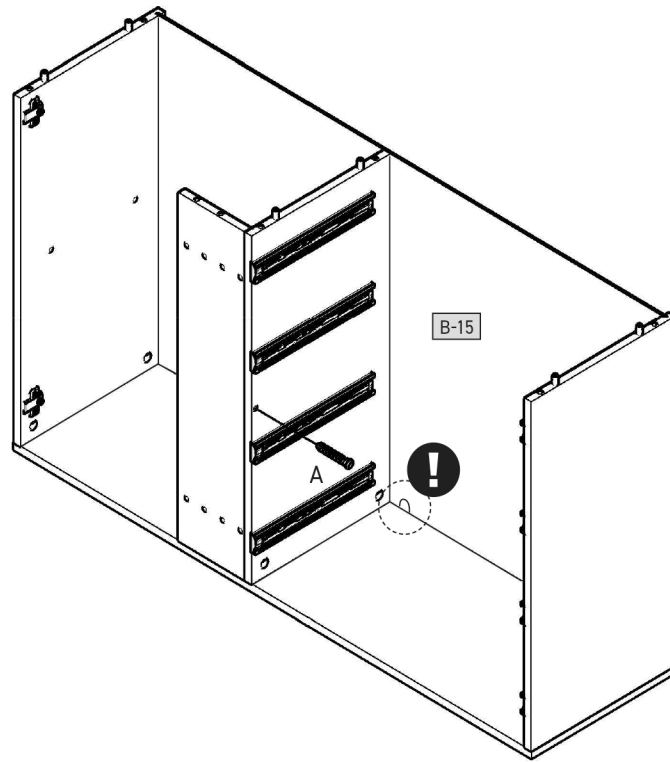
3



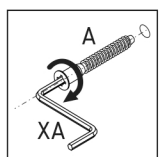
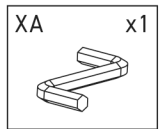
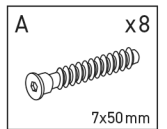
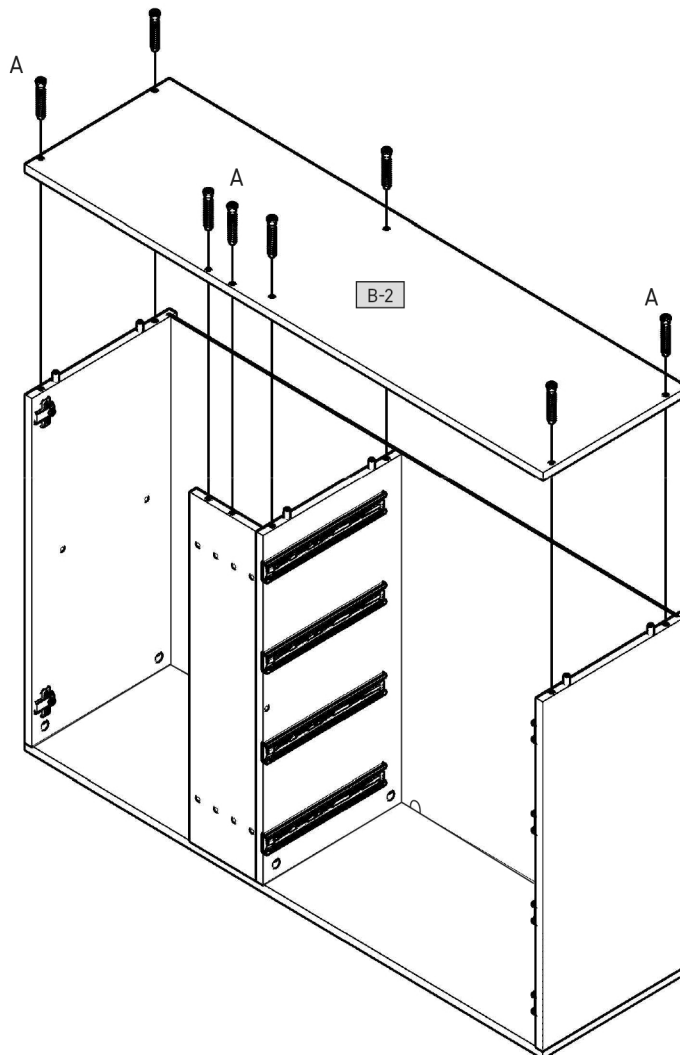
4



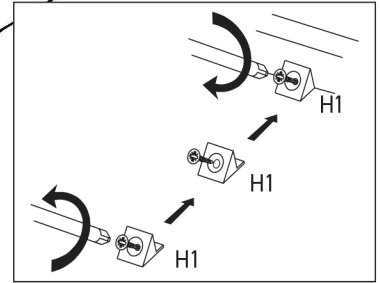
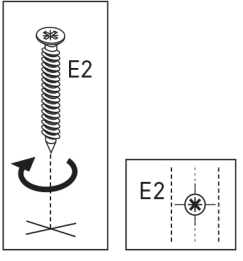
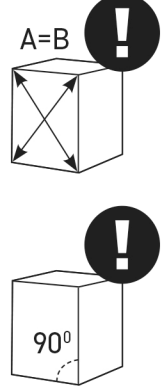
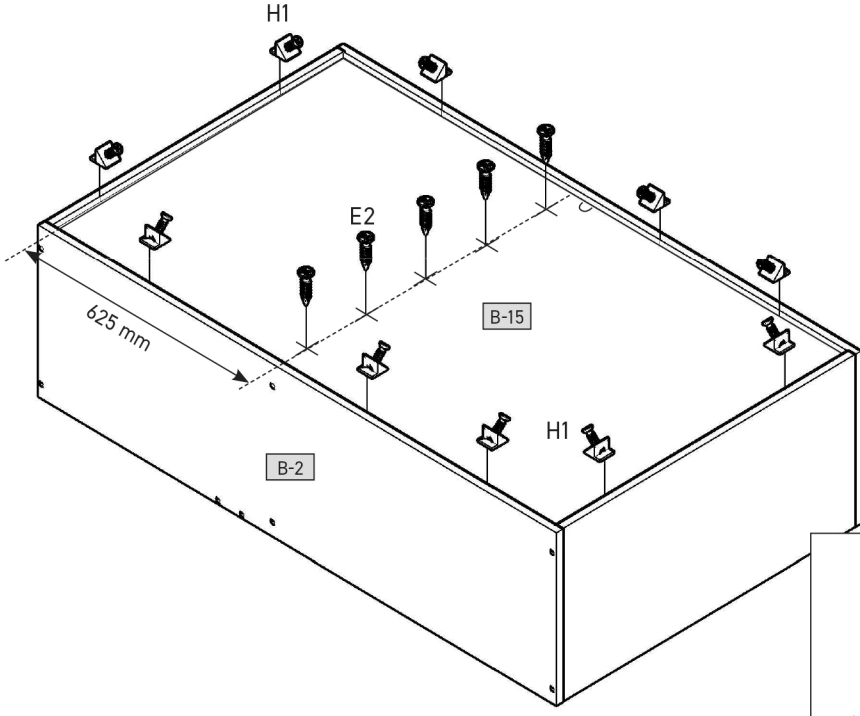
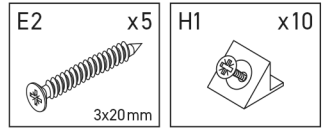
5



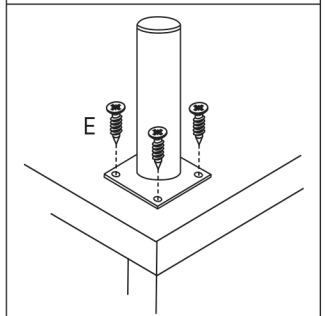
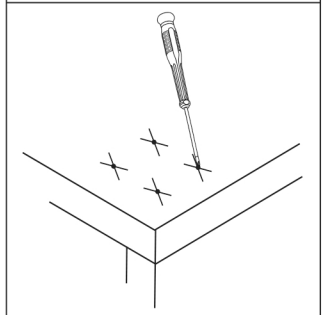
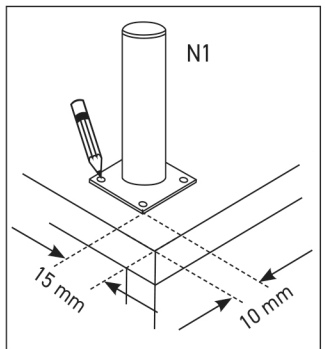
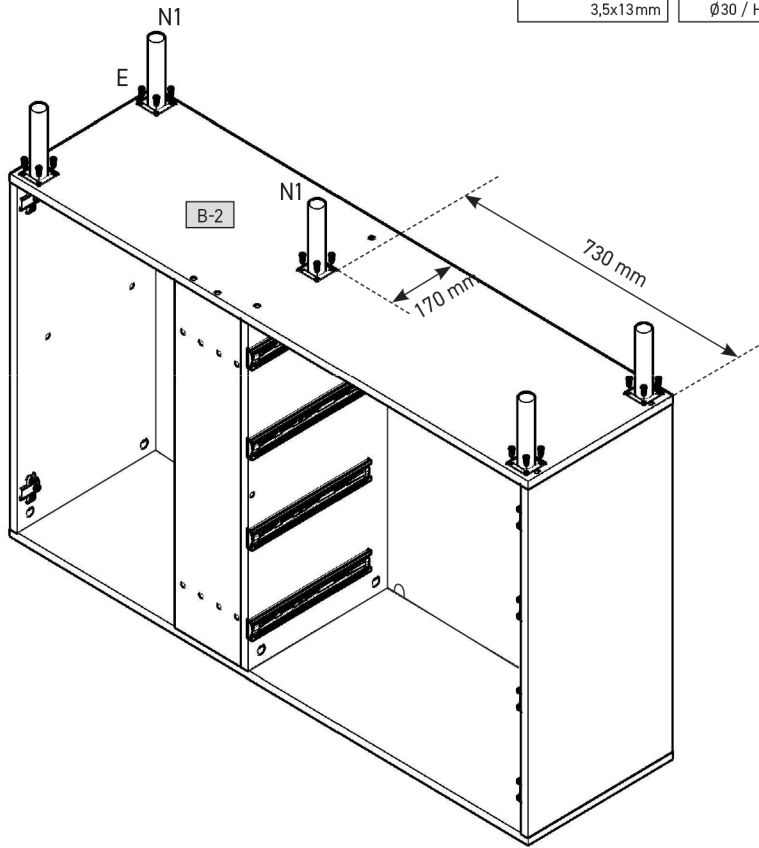
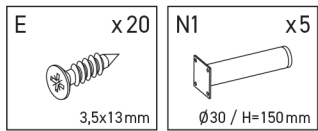
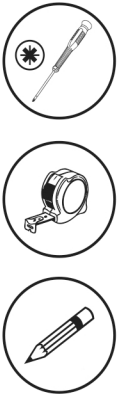
6



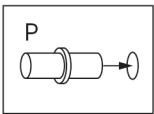
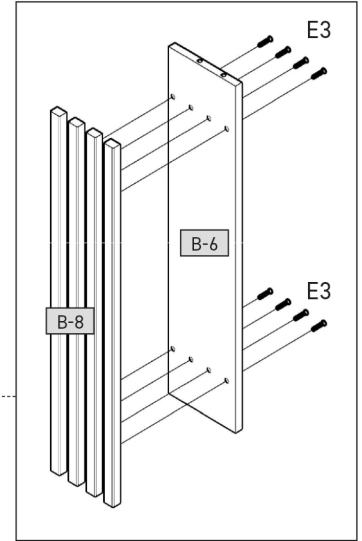
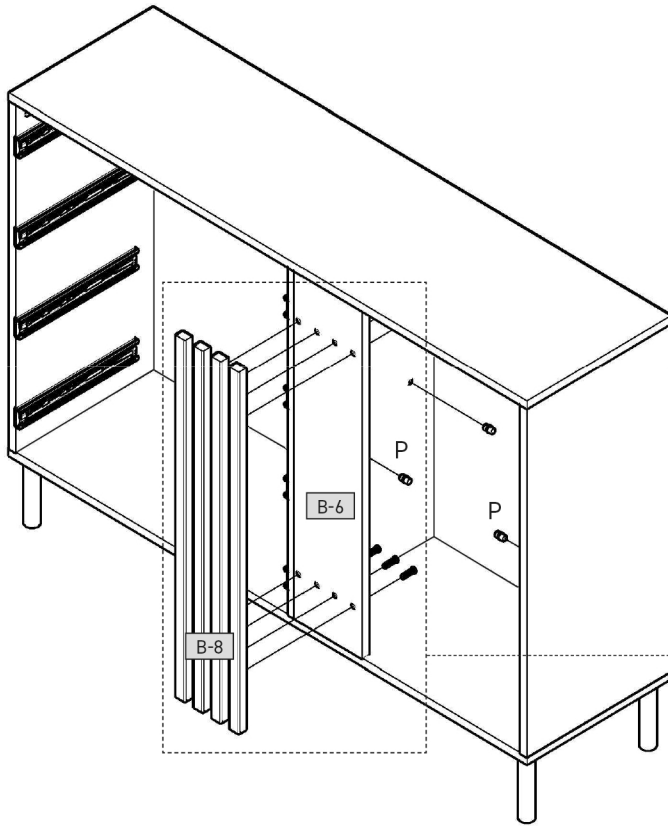
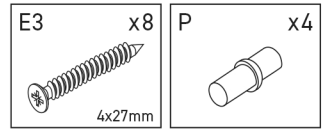
7



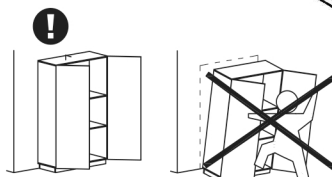
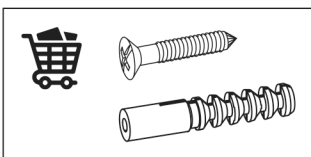
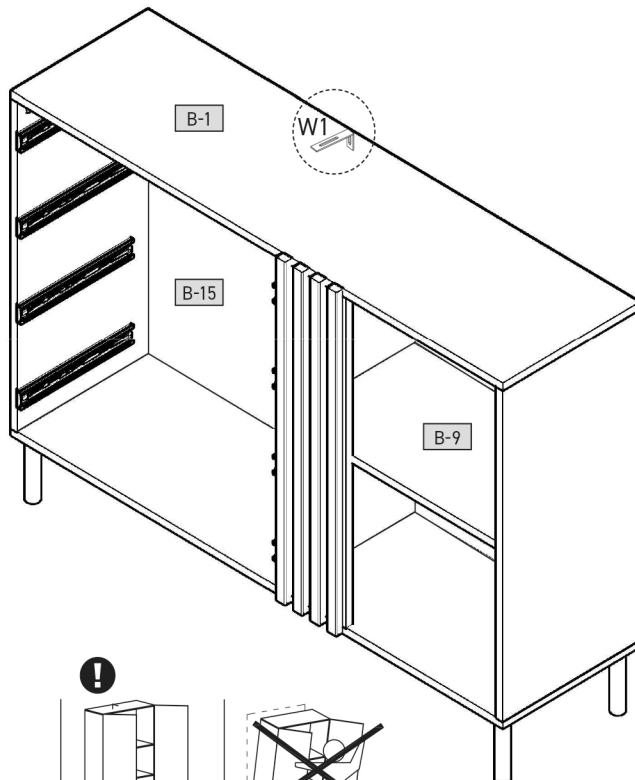
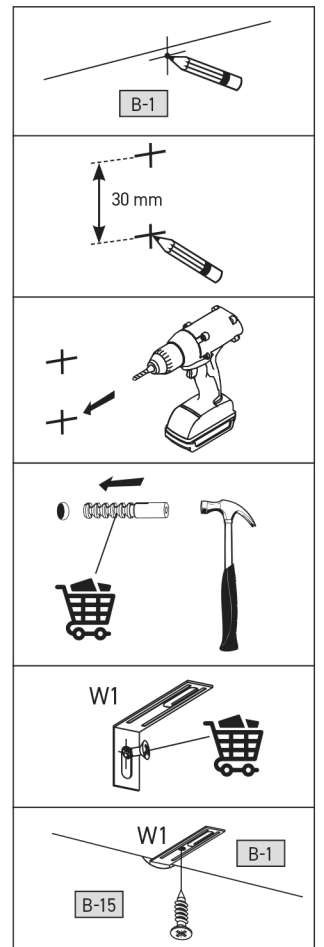
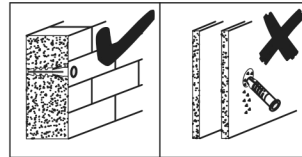
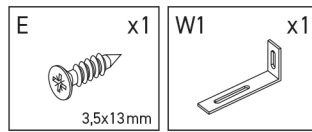
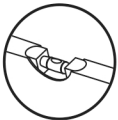
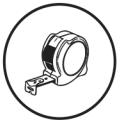
8



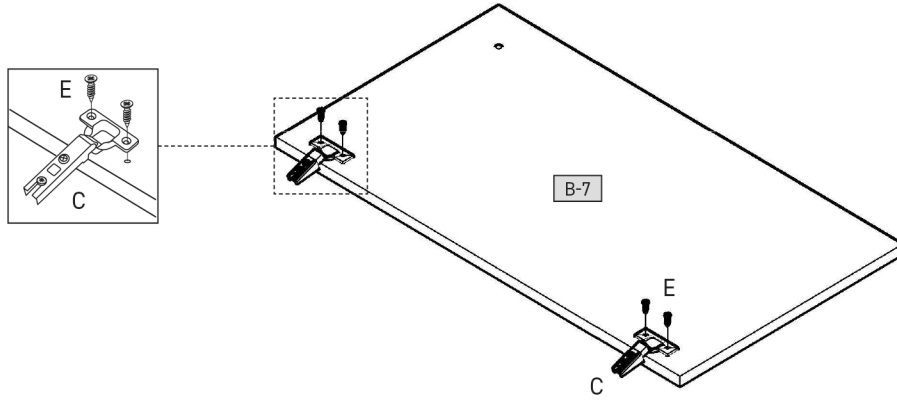
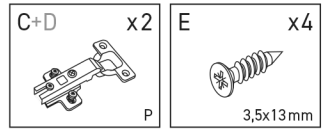
9



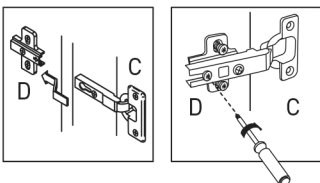
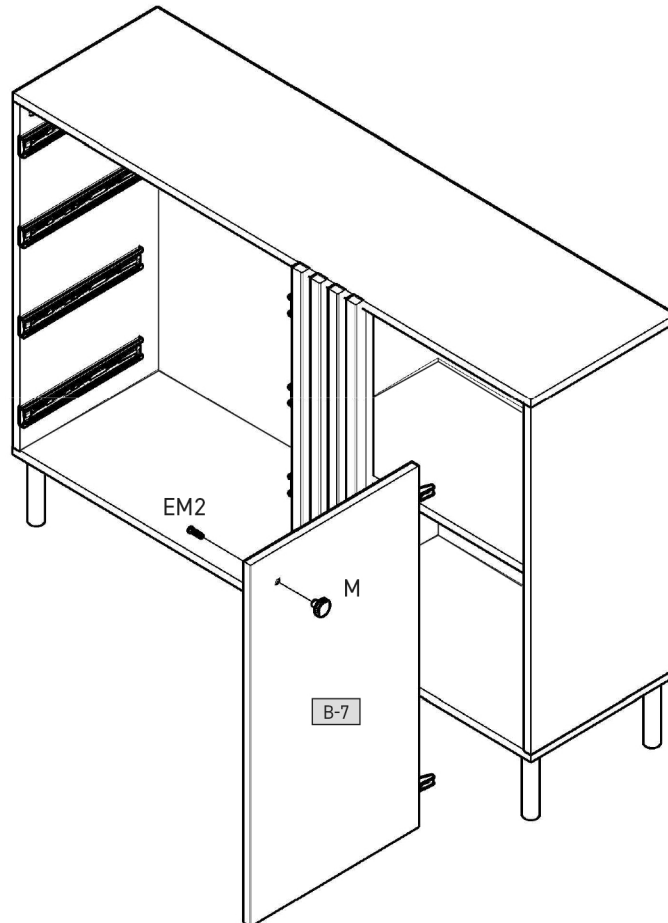
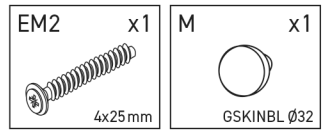
10



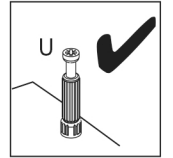
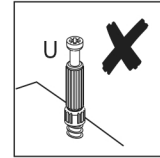
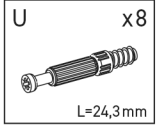
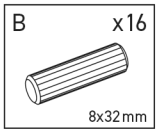
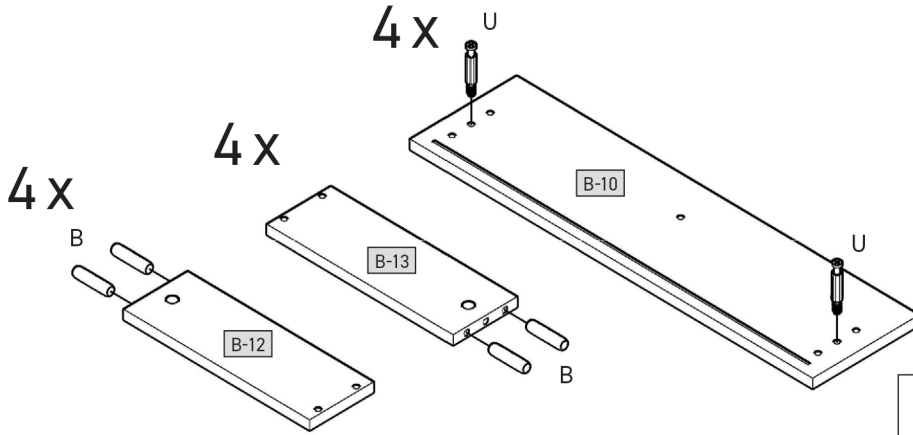
11



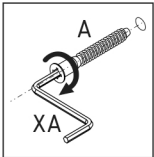
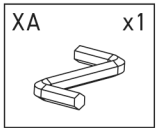
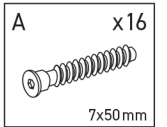
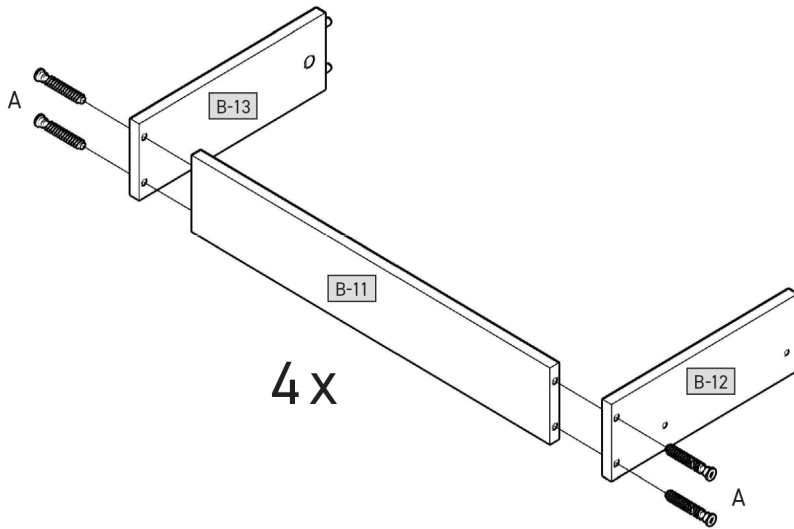
12



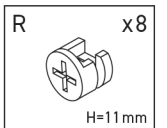
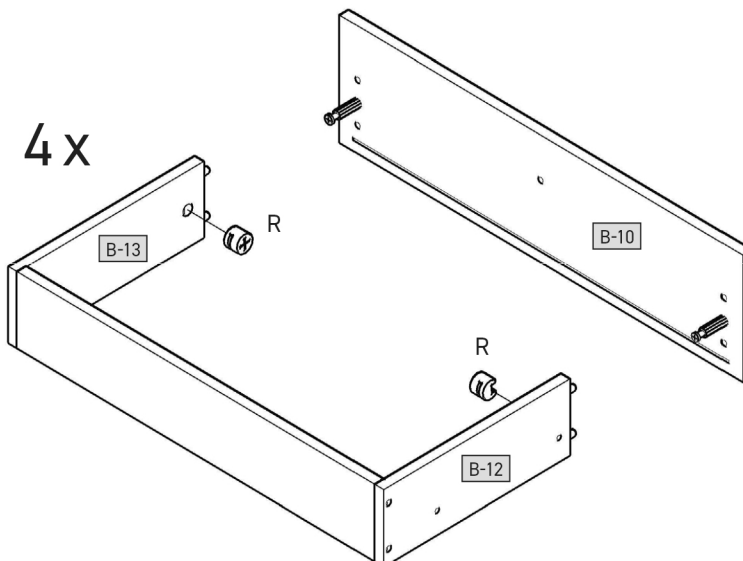
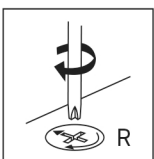
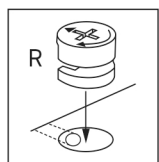
13



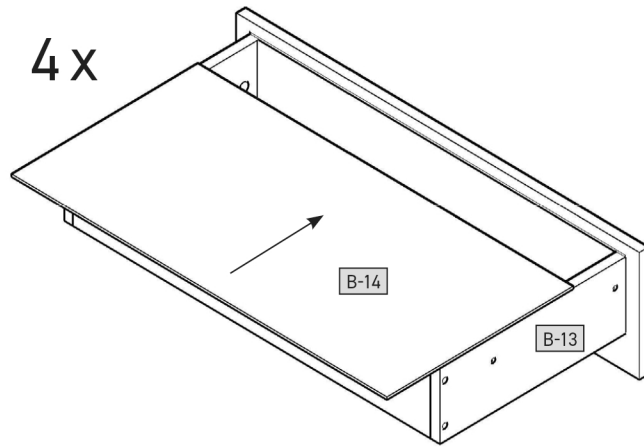
14



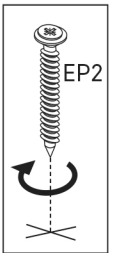
15



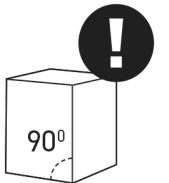
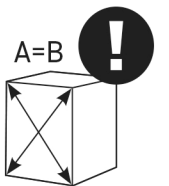
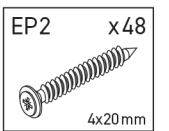
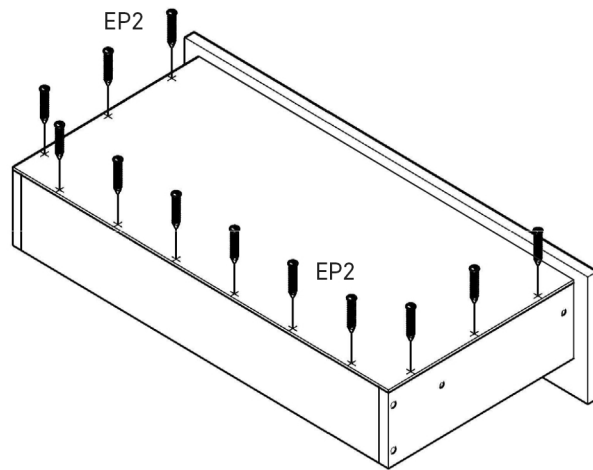
16



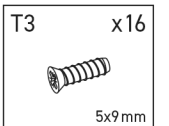
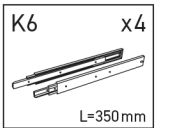
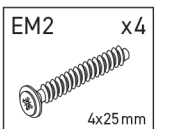
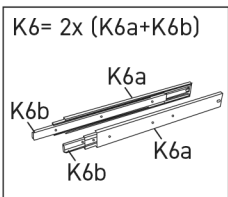
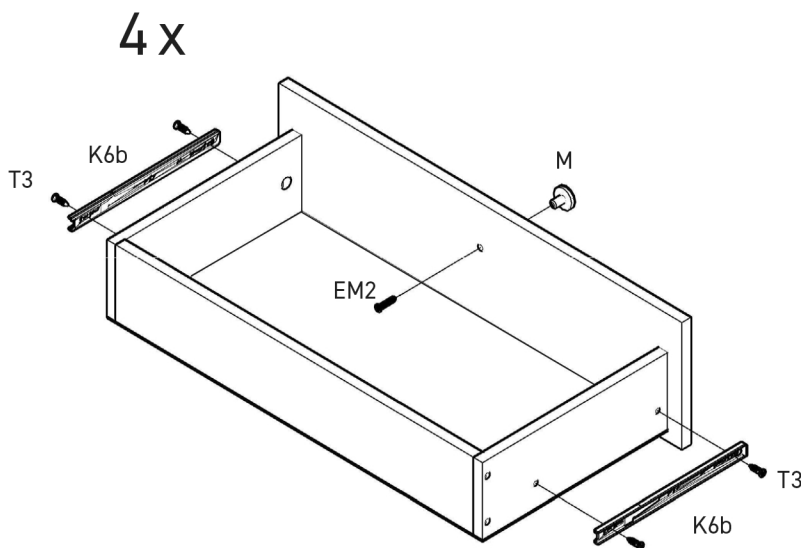
17

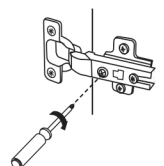
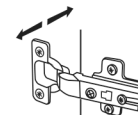
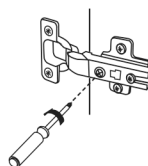
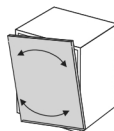
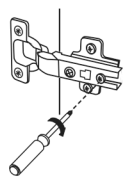
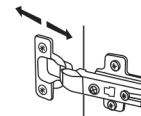
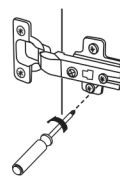
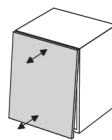
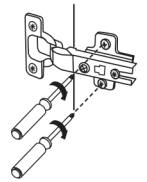
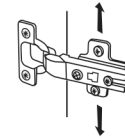
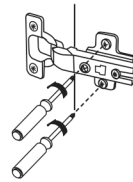
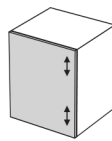
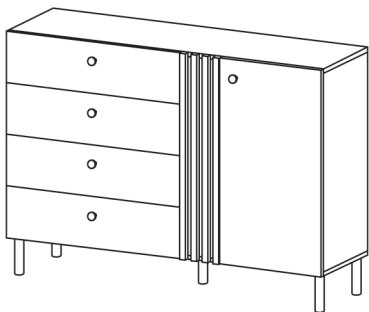
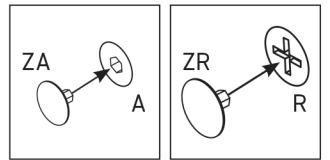
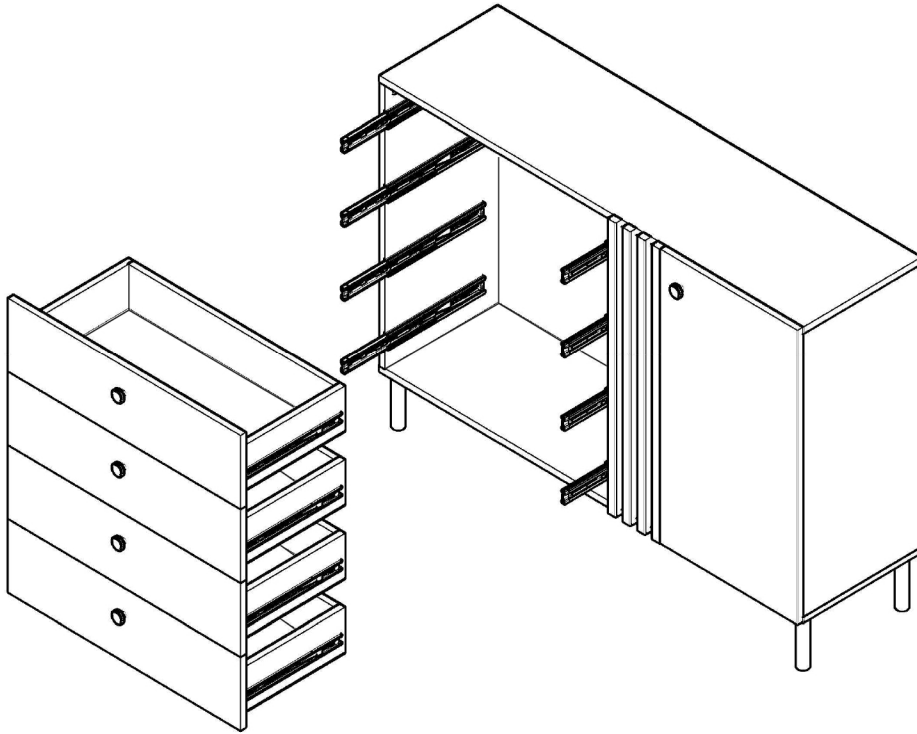
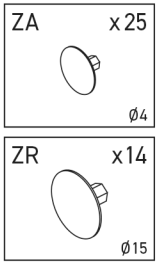


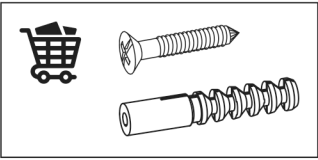
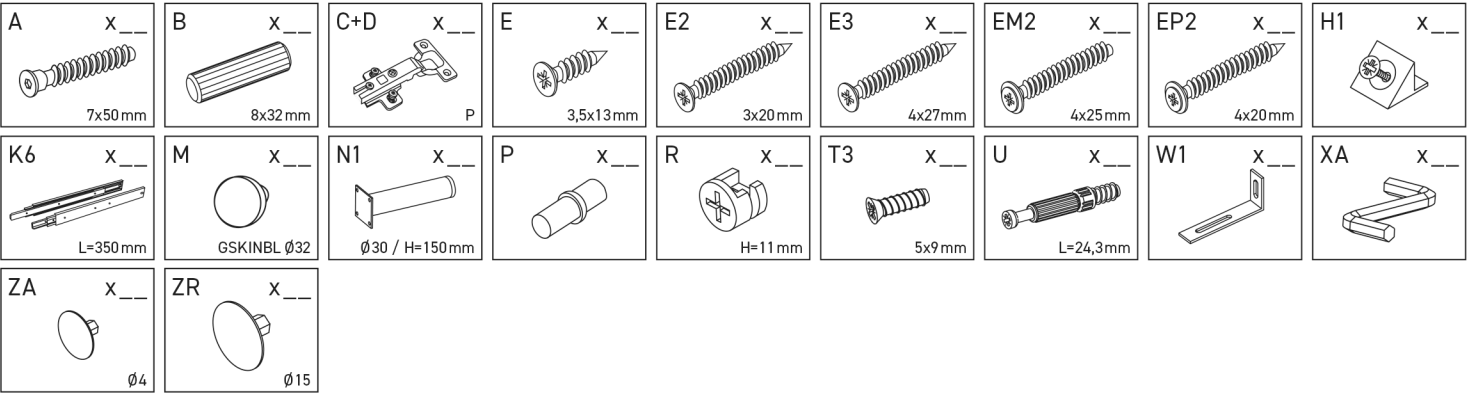
4x



18







B-1	1381	384	16	x 1	1/1
B-2	1381	384	16	x 1	1/1
B-3	781	384	16	x 1	1/1
B-4	781	384	16	x 1	1/1
B-5	781	369	16	x 1	1/1
B-6	781	178	16	x 1	1/1
B-7	446	809	16	x 1	1/1
B-8	809	24	18	x 4	1/1
B-9	602	353	16	x 1	1/1
B-10	758	200	16	x 4	1/1
B-11	674	120	16	x 4	1/1
B-12	350	120	16	x 4	1/1
B-13	350	120	16	x 4	1/1
B-14	704	356	3	x 4	1/1
B-15	1362	795	3	x 1	1/1

